



0 Series Commercial
Centerline Latch Entry for Rim Exit Devices

In or Out...we make it Easy!®

Dimensions
1-3/4" x 9"
(45mm x 228mm)



Features & Benefits

- Accommodates various rim exit device latch projections (from 1/2" to 3/4".)
- The 1-5/8" deep electrical insert* may be horizontally adjusted after final installation to correct door misalignments without altering the original faceplate location.
- AC or DC input acceptable to all models.
- Fully reversible for left or right-hand doors.
- * A minimum frame depth of 1-5/8" for surface-mounted installations.

Accessories

0161DDHDouble door housing for pairs of doors

0161MBMounting bracket kit

Options

Special Finishes – Available upon request

0161

Designed especially to operate with rim exit devices. The 0161 has an attractive architectural appearance. It features a hazard-free radius design.

Slotted horizontal holes on the 0161 faceplate allow correct alignment with the exit device before final installation. Locking Socket allen-head cap screws prevent loosening and misalignment which can occur with continual door usage.

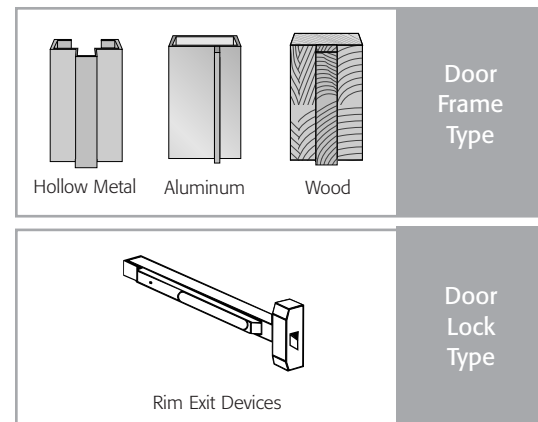
Crossed wires are never a problem as the coil is not polarity-conscious.

Highlights

- UL1034 Burglary-resistant
- Non-handed
- Extensive Horizontal adjustment
- Locking socket head fasteners
- 3-year limited warranty

Applications

- Commercial Centers
- Industrial Buildings
- Educational Facilities
- Retail Outlets
- Health Care Facilities
- Office Complexes





In or Out... we make it Easy!®

NOTE: Not to scale. Specifications are subject to change without notice.

Specifications								
Model	Mode	Code	Voltage	Current	Duty	Sound	Amps	Ohms
0161	Fail Locked	05	12V	AC	Intermittent	Buzz	0.15	61
			12V	DC	Continuous	Silent	0.20	61
0161	Fail Locked	08	24V	AC	Intermittent	Buzz	0.07	215
			24V	DC	Continuous	Silent	0.11	215

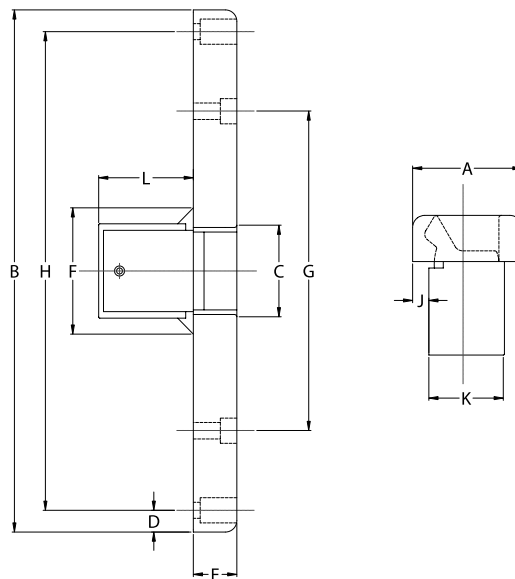
AC = Alternating Current
DC = Direct Current

Intermittent Duty = Energized less than 1 min.
Continuous Duty = Energized 1 min. or more

Duty Ratio 1:5

Certifications/Listings
UL 1034 BURGLARY-RESISTANT

Profiles											
MEASUREMENT	A	B	C	D	E	F	G	H	J	K	L
FRACTIONAL INCHES	1-3/4	9	1-1/2	3/8	3/4	2-3/8	5-1/2	8-1/4	5/16 (MAX)	1-5/16	1-5/8
DECIMAL INCHES	1.750	9.000	1.500	.375	.750	2.375	5.500	8.250	.312	1.310	1.625
METRIC mm	44.50	228.00	38.10	9.50	19.05	60.00	139.50	209.00	7.94	33.00	41.28



RCI also offers a complete line of Electromagnetic Locks, Electric Locks, Power Supplies, Switches, Keypads & Readers, Exit Devices & Systems.